

HAM-LET FLANGE ADAPTERS



FLANGE ADAPTERS

Flange connectors to
LET-LOK®, NPT Male / Female fittings up to 2".
One piece not welded.
Flange meets ASME, DIN, EN, JIS.

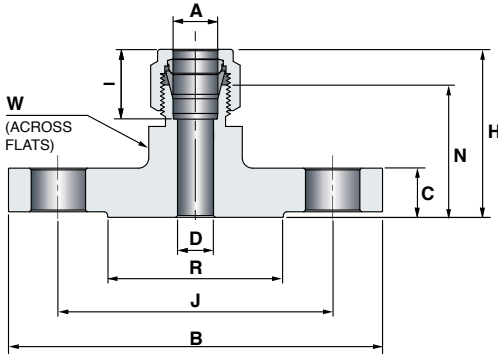


FLANGE CONNECTIONS

- Per ASME B 16.5, NPS 1/2" through NPS 2".
Flange with pressure rating class designation 150 to 2500.
- DIN EN 1092, Sizes DN 15 to 50.
Flange with pressure rating class PN 40 to 100.
- JIS B 2220, Sizes DN 15 to 50.
Flange with pressure rating 10K - 63K.

END CONNECTIONS

LET-LOK® 1/16"-2" , 2mm-50mm.
NPT Male / Female 1/16"-2".



CHARACTERISTIC

Sealing Faces, Flat Face, Raised Face, RTJ, Tongue or Groove.

Material : ST,ST, Full sizes.

Alloy 400. sizes: 1/4", 3/8" ,1/2".

Alloy C-276-C sizes: 1/4", 3/8" ,1/2".

REGULATORY COMPLIANCE

ANSI Flange complies to class 2500.

TUV type test approval 359.11.2012 and TA-LUFT 2002 leakage.

Cleaning requirements: per HAM-LET STD cleaning SOP 8184.

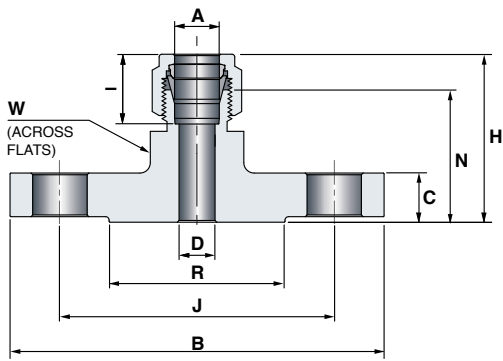


DIN FLANGES, PRESSURE CLASS PN 40

Ordering Information	A	DIN Flange Size DN	B	N	H	C	R	W	D	J	I	Bolts Qty	Bolt Hole
	Tube O.D.		mm	mm	mm	mm	mm	mm	mm	mm	mm		
FLN DIN-DN25-40-Cx 6MM LL	6MM	25	115.0	40.1	47.5	18.0	68.0	20.0	4.8	85.0	15.4	4	14.0
FLN DIN-DN15-40-Cx12MM LL	12MM	15	95.0	38.4	48.5	16.0	45.0	20.0	9.5	65.0	22.8	4	14.0
FLN DIN-DN25-40-Cx12MM LL	12MM	25	115.0	40.4	50.5	18.0	68.0	20.0	9.5	85.0	22.8	4	14.0
FLN DIN-DN50-40-Cx12MM LL	12MM	50	165.0	45.2	55.3	20.0	102.0	20.0	9.5	125.0	22.8	4	18.0
FLN DIN-DN15-40-Cx18MM LL	18MM	15	95.0	41.7	51.8	16.0	45.0	32.0	15.1	65.0	24.4	4	14.0
FLN DIN-DN25-40-Cx18MM LL	18MM	25	115.0	43.7	53.8	18.0	68.0	32.0	15.1	85.0	24.4	4	14.0
FLN DIN-DN25-40-Cx25MM LL	25MM	25	115.0	51.8	64.1	18.0	68.0	35.0	21.8	85.0	31.3	4	14.0
FLN DIN-DN50-40-Cx38MM LL	38MM	50	165.0	62.7	90.3	20.0	102.0	55.0	33.7	125.0	49.3	4	18.0
FLN DIN-DN50-40-Cx50MM LL	50MM	50	165.0	66.3	103.4	20.0	102.0	70.0	45.2	125.0	65.0	4	18.0

EN FLANGES, PRESSURE CLASS PN 40

Ordering Information	A	EN Flange Size DN	B	N	H	C	R	W	D	J	I	Bolts Qty	Bolt Hole
	Tube O.D.		mm	mm	mm	mm	mm	mm	mm	mm	mm		mm
FLN EN-DN25-40-B1x 6MM LL	6MM	25	115.0	40.1	47.5	18.0	68.0	20.0	4.8	85.0	15.4	4	14.0
FLN EN-DN15-40-B1x12MM LL	12MM	15	95.0	38.4	48.5	16.0	45.0	20.0	9.5	65.0	22.8	4	14.0
FLN EN-DN25-40-B1x12MM LL	12MM	25	115.0	40.4	50.5	18.0	68.0	20.0	9.5	85.0	22.8	4	14.0
FLN EN-DN50-40-B1x12MM LL	12MM	50	165.0	45.2	55.3	20.0	102.0	20.0	9.5	125.0	22.8	4	18.0
FLN EN-DN15-40-B1x18MM LL	18MM	15	95.0	41.7	51.8	16.0	45.0	32.0	15.1	65.0	24.4	4	14.0
FLN EN-DN25-40-B1x18MM LL	18MM	25	115.0	43.7	53.8	18.0	68.0	32.0	15.1	85.0	24.4	4	14.0
FLN EN-DN25-40-B1x25MM LL	25MM	25	115.0	51.8	64.1	18.0	68.0	35.0	21.8	85.0	31.3	4	14.0
FLN EN-DN50-40-B1x38MM LL	38MM	50	165.0	62.7	90.3	20.0	102.0	55.0	33.7	125.0	49.3	4	18.0
FLN EN-DN50-40-B1x50MM LL	50MM	50	165.0	66.3	103.4	20.0	102.0	70.0	45.2	125.0	65.0	4	18.0



JIS FLANGES, PRESSURE CLASS 10K

Ordering Information	A Tube O.D.		JIS Flange Size DN	B		N		H		C		R		W		D		J		I		Bolt Hole mm
	inch	mm		inch	mm	inch	mm	inch	mm	inch	mm	inch	mm	inch	mm	inch	mm	inch	mm	inch	mm	
FLN JIS 15 X 1/4LL-10K-RF	1/4"	6.35	15	3.74	95.0	1.37	34.8	1.66	42.2	0.47	12.0	2.01	51.0	13/16"	0.19	4.8	2.76	70.0	0.60	15.2	15.0	
FLN JIS 15 X 3/8LL-10K-RF	3/8"	9.52	15	3.74	95.0	1.43	36.3	1.72	43.7	0.47	12.0	2.01	51.0	13/16"	0.28	7.1	2.76	70.0	0.66	26.8	15.0	
FLN JIS 15 X 1/2LL-10K-RF	1/2"	12.70	15	3.74	95.0	1.43	36.3	1.83	46.5	0.47	12.0	2.01	51.0	13/16"	0.41	10.4	2.76	70.0	0.90	22.9	15.0	
FLN JIS 15 X 3/4LL-10K-RF	3/4"	19.05	15	3.74	95.0	1.51	38.4	1.91	48.5	0.47	12.0	2.01	51.0	1-1/4"	0.62	15.8	2.76	70.0	0.96	24.4	15.0	
FLN JIS 25 X 1 LL-10K-RF	1"	25.40	25	4.92	125.0	1.92	48.8	2.40	61.0	0.55	14.0	2.64	67.0	1-3/8"	0.88	22.3	3.54	90.0	1.23	31.2	19.0	
FLN JIS 50 X 2 LL-10K-RF	2"	50.80	50	6.10	155.0	2.54	64.5	4.01	101.9	0.63	16.0	3.78	96.0	2-3/4"	1.81	46.0	4.72	120.0	2.66	67.6	19.0	

Ordering Information	A Tube O.D.		JIS Flange Size DN	B	N	H	C	R	W	D	J	I	Bolt Hole mm
	mm	mm		mm	mm	mm	mm	mm	mm	mm	mm	mm	
FLN JIS 15 X12MMLL-10K-RF	12MM	15	95.0	36.3	46.5	12.0	51.0	20.0	9.5	70.0	22.8	15.0	
FLN JIS 15 X18MMLL-10K-RF	18MM	15	95.0	38.4	48.5	12.0	51.0	32.0	15.1	70.0	24.4	15.0	
FLN JIS 25 X25MMLL-10K-RF	25MM	25	125.0	48.8	61.0	14.0	67.0	35.0	21.8	90.0	31.3	19.0	

ANSI FLANGES

Ordering Information	A Tube O.D.		ANSI Flange NPS	Flange CLASS	B		N		H		C		R		W		D		J		I		Bolt Hole	
	inch	mm			inch	mm	inch	mm	inch	mm	inch	mm	inch	mm	inch	mm	inch	mm	inch	mm	inch	mm	inch	mm
FLN NPS 1/2 X 1/4LL-150-RF	1/4"	6.35	1/2"	150	3.50	88.9	1.32	33.5	1.61	40.9	0.44	11.2	1.38	35.1	13/16"	0.19	4.8	2.38	60.5	0.60	15.3	0.62	15.7	
FLN NPS 1/2 X 3/8LL-300-RF	3/8"	9.52	1/2"	300	3.75	95.2	1.50	38.1	1.79	45.5	0.56	14.2	1.38	35.1	13/16"	0.28	7.1	2.62	66.6	0.66	16.9	0.62	15.7	
FLN NPS 1/2 X 1/2LL-150-RF	1/2"	12.70	1/2"	150	3.50	88.9	1.38	35.1	1.78	45.2	0.44	11.2	1.38	35.1	13/16"	0.41	10.4	2.38	60.5	0.90	22.9	0.62	15.7	
FLN NPS 1 X 1/2LL-150-RF	1/2"	12.70	1"	150	4.25	108.0	1.50	38.1	1.90	48.3	0.56	14.2	2.00	50.8	13/16"	0.41	10.4	3.12	79.2	0.90	22.9	0.62	15.7	
FLN NPS 2 X 1/2LL-150-RF	1/2"	12.70	2"	150	6.00	152.4	1.92	48.9	2.32	59.0	0.75	19.1	3.62	92.0	13/16"	0.41	10.4	4.75	120.7	0.90	22.9	0.75	19.1	
FLN NPS 1 X 3/4LL-150-RF	3/4"	19.05	1"	150	4.25	108.0	1.58	40.1	1.98	50.3	0.56	14.2	2.00	50.8	1-1/4"	0.62	15.8	3.12	79.2	0.96	24.5	0.62	15.7	
FLN NPS 1 X 1 LL-150-RF	1"	25.40	1"	150	4.25	108.0	1.90	48.3	2.38	60.5	0.56	14.2	2.00	50.8	1-3/8"	0.88	22.3	3.12	79.2	1.23	31.2	0.62	15.7	
FLN NPS 2 X 1-1/2 LL-150-RF	1-1/2"	38.10	2"	150	6.00	152.4	2.33	59.2	3.40	86.4	0.75	19.1	3.62	92.0	2-1/8"	1.34	34.0	4.75	120.7	1.97	50.1	0.75	19.1	
FLN NPS 2 X 2 LL-150-RF	2"	50.80	2"	150	6.00	152.40	3	72.40	4.32	110	0.75	19.1	3.62	92.0	2-3/4"	1.81	46.0	4.75	120.7	2.65	67.6	0.75	19.1	

FLANGE ADAPTER

