

# DS-8000 - Steam Conditioning PRDS

**DS-8750P PRDS series** has been specifically designed for severe steam conditioning services such as steam turbine bypass stations and all applications where perfect seal, frequent start-up from cold or warm conditions and fast opening is required.

Micro drilled free expanding cage reduces generated valve noise acting as strain protecting seat sealing surface from damages.

Lip seal seat design allows to minimize thermal expansions effects on body connection.

Free expanding design water distribution allows to compensate differential thermal expansions between hot (steam) and cold (water) sections.

Pressure seal body-bonnet connection warranting high reliability with most severe working conditions.

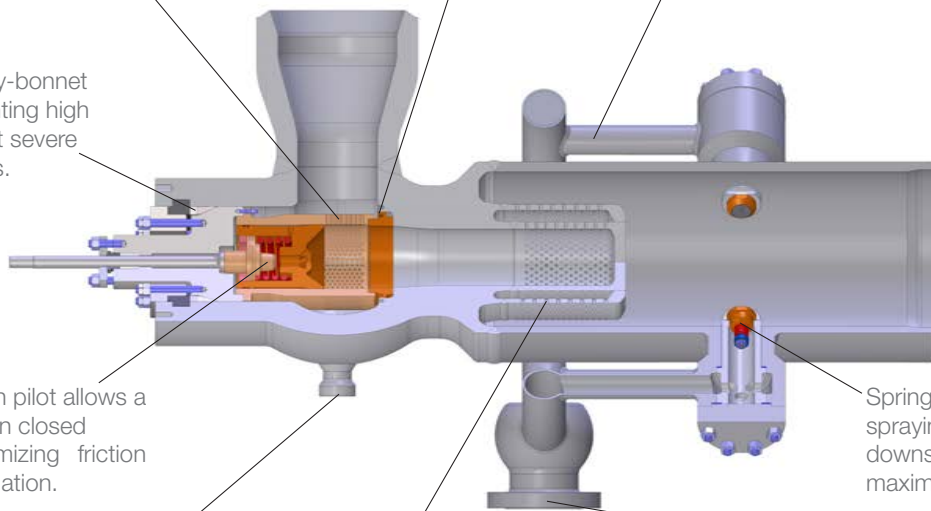
Balanced plug with pilot allows a perfect valve seal in closed position by minimizing friction forces during regulation.

Drain and heating connections allow to avoid steam condensate accumulation and to reduce thermal stresses on valve body when quick opening is request on high temperature service applications.

Free expanding design silencer is optimized to reduce more critical acoustical frequencies by minimizing downstream transmitted noise. VeCo-LT silencer is available for most severe applications or when very low SPL is required.

Spring energized high rangeability spraying nozzles placed immediately downstream valve silencer allow to maximize desuperheating efficiency.

Integrated water injection allows to dramatically reduce layout complexity allowing to optimize steam desuperheating efficiency.



## Main features

AST produces a complete series of Pressure Reducing and Desuperheating Stations for steam conditioning in power generation and industrial applications.

Based on the wide range of CV-8000 control valve series and on the comprehensive range of DS-3000 steam desuperheaters, the DS-8000 PRDS's can be configurated to comply to practically all steam conditioning applications.

## Sizes / Pressure Classes

Size from DN 1" to DN 60"  
Rating: up to Class 4500.

## Design Codes & Product Standard

IEC 60534, FCI 70-2, EN 12516, EN 1092, ASME B16.34, ASME B16.5, TRD 301.

## Available layout configurations:

DS-8450A/L	Straight way body
DS-8450P	Straight way body, balanced trim with pilot plug
DS-8750A	Angle body, bottom inlet
DS-8750L	Angle body, side inlet
DS-8750P	Angle body, side inlet, balanced trim with pilot plug