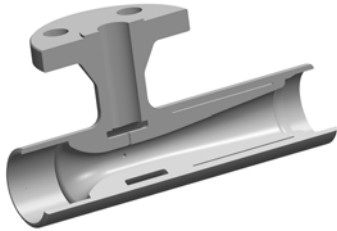


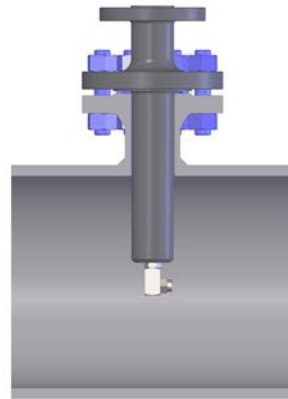
# DS-3000 - Steam Desuperheaters



**DS-3100-VN**  
Venturi Nozzle  
Turndown  $7\div 1$  max



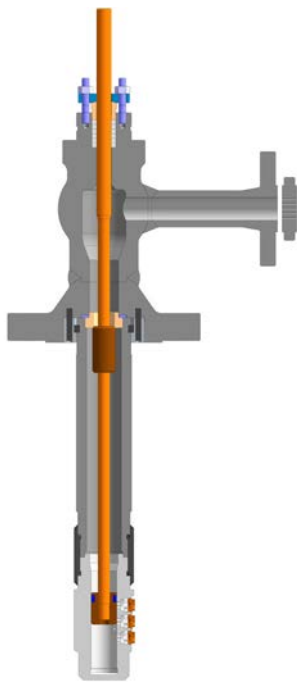
**DS-3200-P**  
Fixed Area Nozzle  
Turndown  $5\div 1$  max



**DS-3200-C**  
Fixed Area Nozzle  
with injection chamber



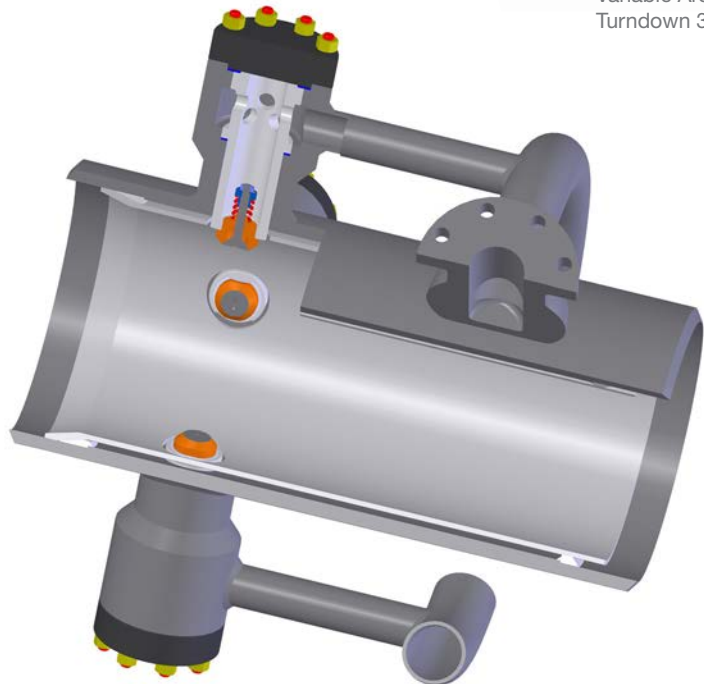
**DS-3400-P**  
Variable Area Nozzle  
Probe mounting



**DS-3400-MN**  
Multi Nozzle self-actuated  
Turndown up to  $100\div 1$ .



**DS-3400**  
Variable Area Nozzle  
Turndown  $30\div 1$  max



**DS-3400-M**  
Variable Area Multi Nozzle with  
injection chamber and water  
distribution circuit.

## Main features

Thanks to the availability of a complete range of steam desuperheaters, AST can supply the optimal solution for whichever steam conditioning application.

An experienced technical staff is available to support the customer in selecting the most appropriate solution and providing support for a correct piping layout, allowing an optimal installation and satisfactory operation of the equipment supplied.