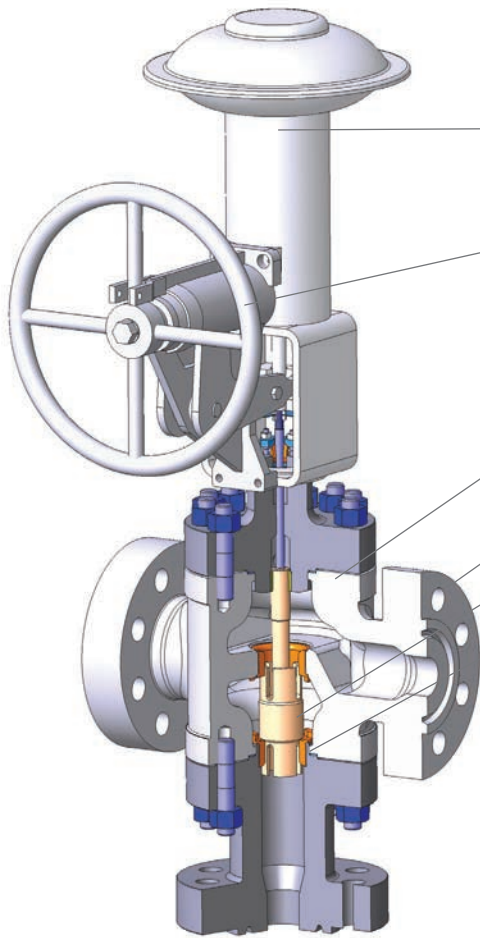


CV-8000



- Direct or reverse acting actuator
- Hand wheels, positioner and limit switches available
- 3 way globe valve for combining service
- Special flanges available
- Wide range of exotic material available
- Graphite seals for fire safe design

Main features

AST produces a complete series of control valves with electric or pneumatic spring-diaphragm actuators. Materials: carbon steel, alloy steel, hastelloy, monel and other materials upon request. Accessories: handwheels (side and top mounted), stem bellows for bubble tight sealing, pneumatic, electropneumatic or digital positioners, filters, boosters, lockup valve etc.

Sizes / Pressure Classes

CV-8100: Globe single seat, top and bottom guided

Size: from NPS 3/4 to NPS 10.
Rating: up to ASME 2500.
CV: from 6 to 750.

CV-8200: Globe double seat

Size: from NPS 3/4 to NPS 16.
Rating: up to ASME 2500.
CV: from 9 to 2560.

CV-8300C: Globe three-way combining

Size: from NPS 3/4 to NPS 10.
Rating: up to ASME 2500.
CV: from 6 to 750.

CV-8300D: Globe three-way diverting

Size: from NPS 3/4 to NPS 12.
Rating: up to ASME 2500.
CV: from 6 to 1100.

CV-8400: Globe single seat, top guided

Size: from NPS 1/2 to NPS 8.
Rating: up to ASME 2500.
CV: from 0.001 to 650.

CV-8700: Angle

Size: from NPS 3/4 to NPS 6.
Rating: up to ASME 2500.
CV: from 1.6 to 425.

Design Codes & Product Standards

IEC 60534, FCI 70-2, EN 12516, EN 1092, ASME B16.34, ASME B16.5.